

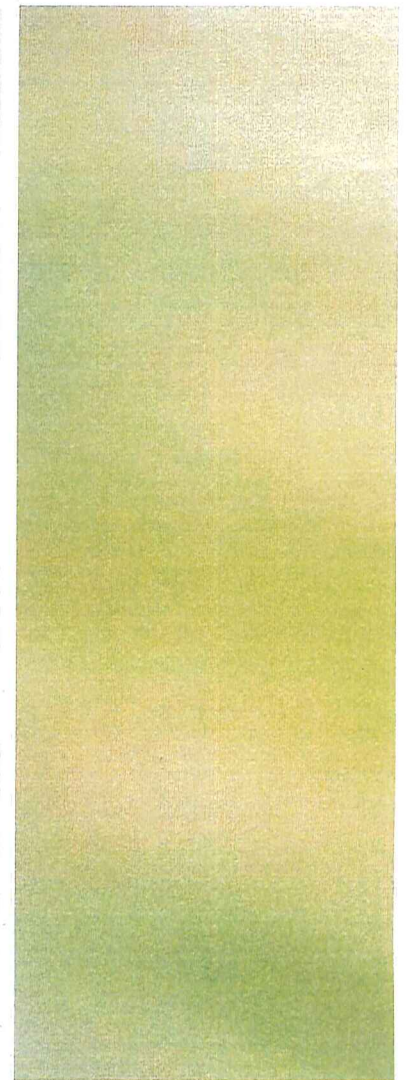
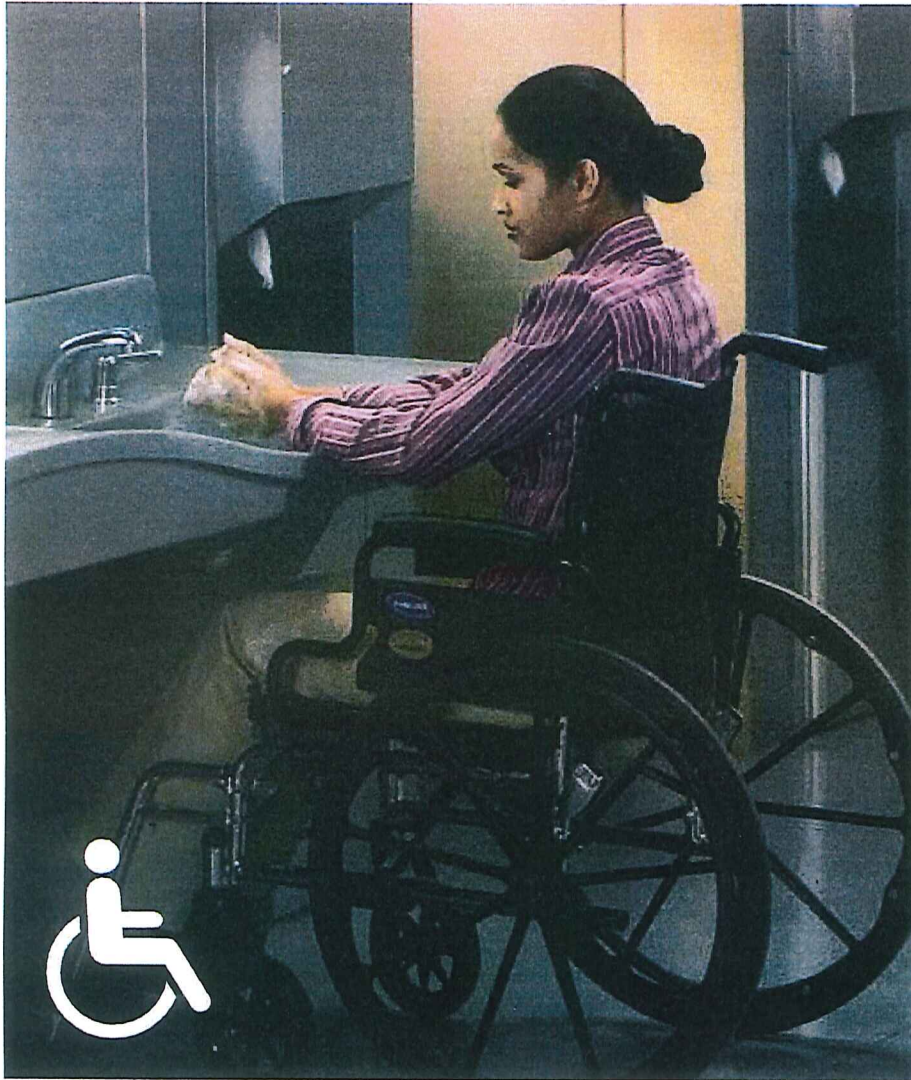


Golich Building Supply, Inc.

7106 Kensington Road, Brighton, MI 48116 Phone: 248-437-7696 Fax: 248-437-1822

Universal Design Guide

Washrooms & Showers



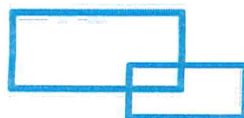
Accessories

Faucets

Showers

Toilets

Lavatories



Golich Glass, Inc



Golich Building Supply, Inc

Mirrors, Shower Enclosures, Closet Systems, Door Hardware, and Bath Accessories

Doug Dickerson

Sales

7106 Kensington Rd
Brighton, MI 48116
www.golich.com

Cell: 248-767-4475
Office: 248-437-7696
Fax: 248-437-1822

E-mail: doug@golich.com





Accessible Stall Design

There are many dimensions to consider when designing an accessible bathroom stall.

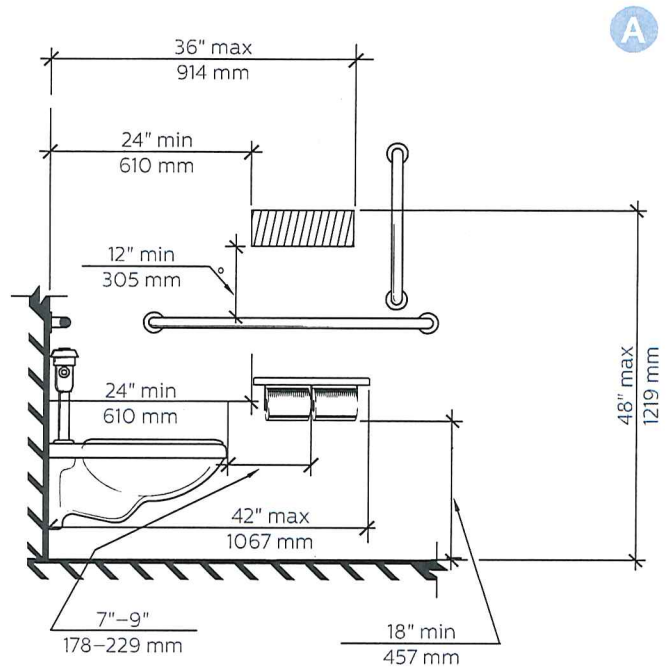
Distances should allow for common usage by people with a limited range of motion.

A Dimension guidelines when dispensers protrude from the wall in toilet rooms and toilet compartments.

Anything that a person might need to reach should be a maximum of 48" (1219mm) off of the finished floor.

Toilet tissue needs to be easily within arm's reach. The outlet of a tissue dispenser must be between 24" (610mm) minimum and 42" (1067mm) maximum from the back wall, and per the ANSI standard, at least 18" above the finished floor. The ADA guide defines "easily with arm's reach" as being within 7-9" (178-229 mm) from the front of the bowl and at least 15" (381mm) above the finished floor (48" (1219mm) maximum).

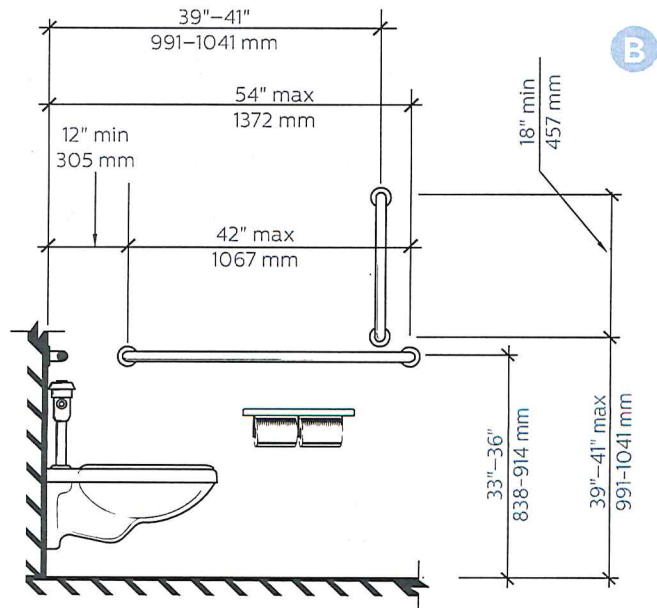
Door latches or other operable parts cannot require tight grasping, pinching, or twisting of the wrist. They must be operable with one hand, using less than five pounds of pressure.



B Dimensions for grab bars.

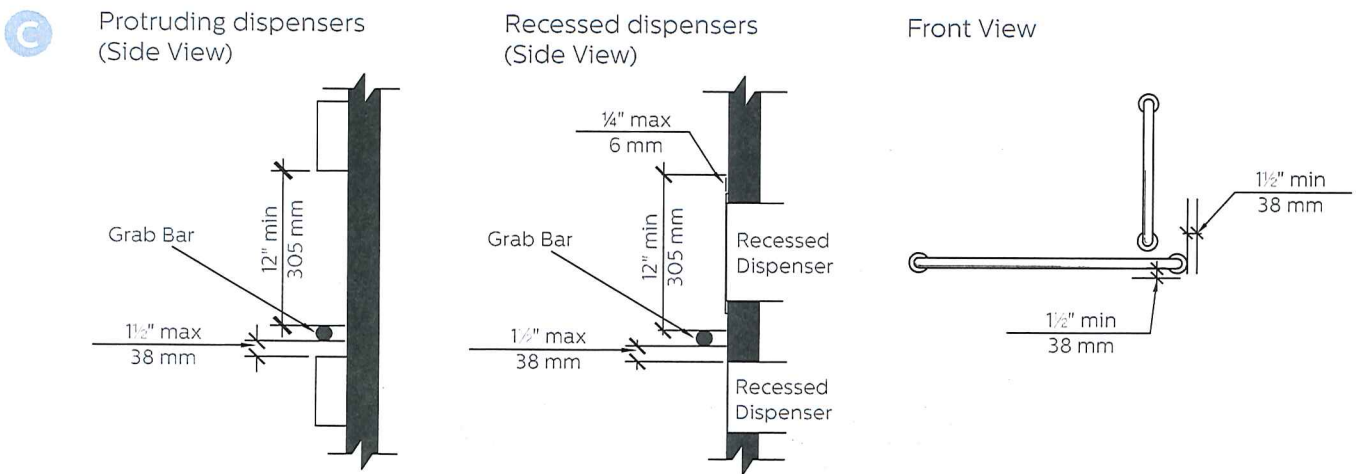
Grab Bars need to be mounted lower for better leverage (33-36" (838-914 mm) high). Horizontal side wall grab bars need to be 42" (1067mm) minimum length.

Vertical grab bars are not yet covered in the ADA guidelines, however, ANSI specifies the dimensions shown in the diagram.

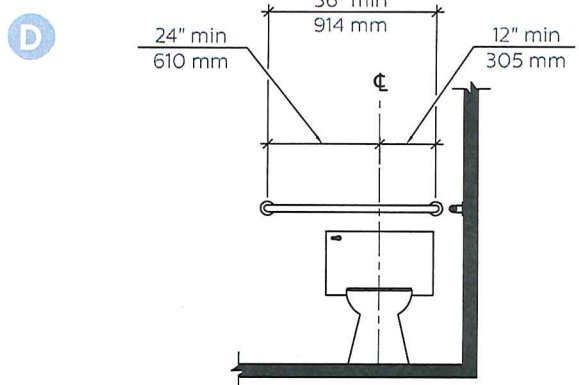




- C** Dimensions are shown for grab bars installed with protruding or recessed dispensers.
- Protruding (non-recessed) dispensers must be more than 12" (305mm) above or 1½" (38mm) below or at the end of grab bars. ANSI allows recessed dispensers at the ends of the grab bar. Recessed dispensers are allowed within the 12" (305mm) space above and 1½" (38mm) space below and at the end of a grab bar, for ADA the recessed dispenser must be flush. However, ANSI allows for ¼" (6mm) projection in the allowed area. For ADA and ANSI, nothing can be installed directly behind the grab bar.



- D** Dimensions for rear grab bar installation.
- Rear wall grab bars must be 36" (914mm) long, and mounted so 24" (610mm) are to the transfer side of the toilet and the other 12" (305mm) to the wall side. The rear grab bar can be split or shifted to the open side to accommodate the required location of the flush control valves.



Be sure to verify all accessibility guidelines with your local codes, as they are often more strict than national codes.

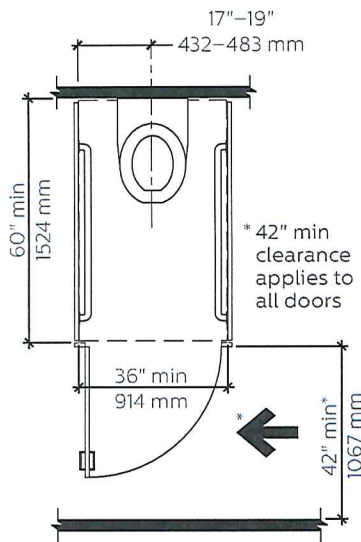


Golich Building Supply, Inc.

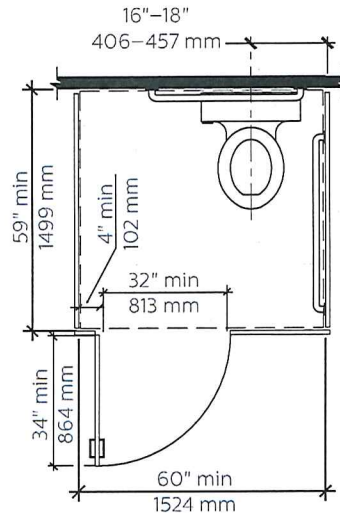
7106 Kensington Road, Brighton, MI 48116 Phone: 248-437-7696 Fax: 248-437-1822

Stall Dimensions

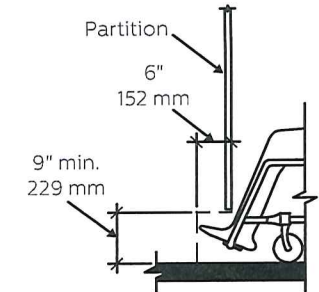
Ambulatory
Compartment



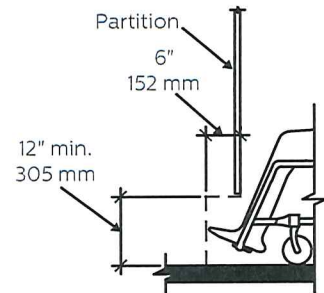
Wheelchair Accessible
Compartment Floor Mounted
Water Closet (Adult/Child)



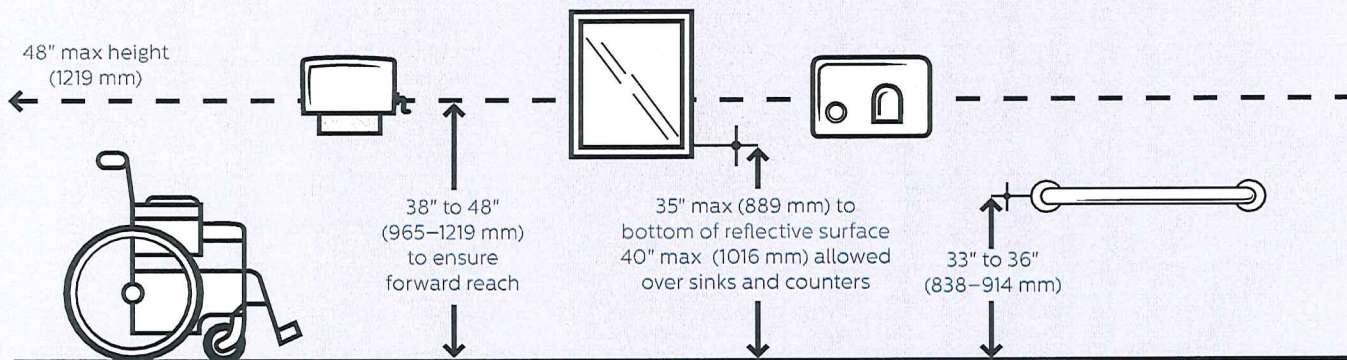
Toe Clearance
(Adult)



Toe Clearance
(Children)



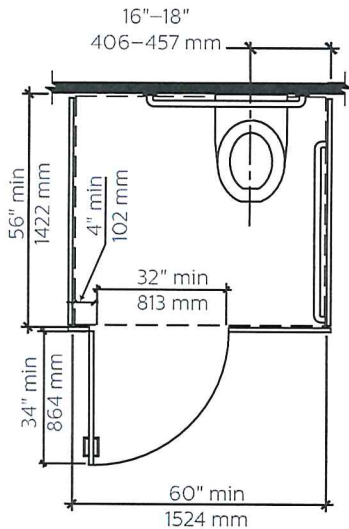
Forward & Side Approaches for Unobstructed Reach



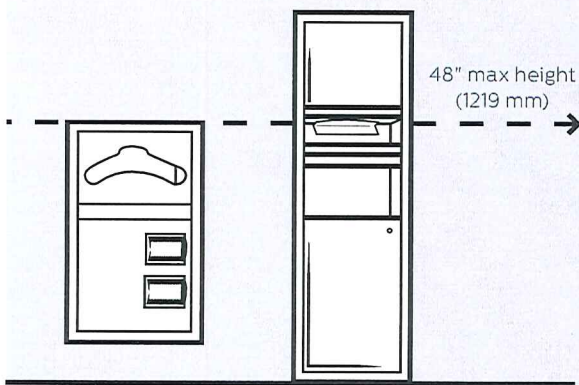
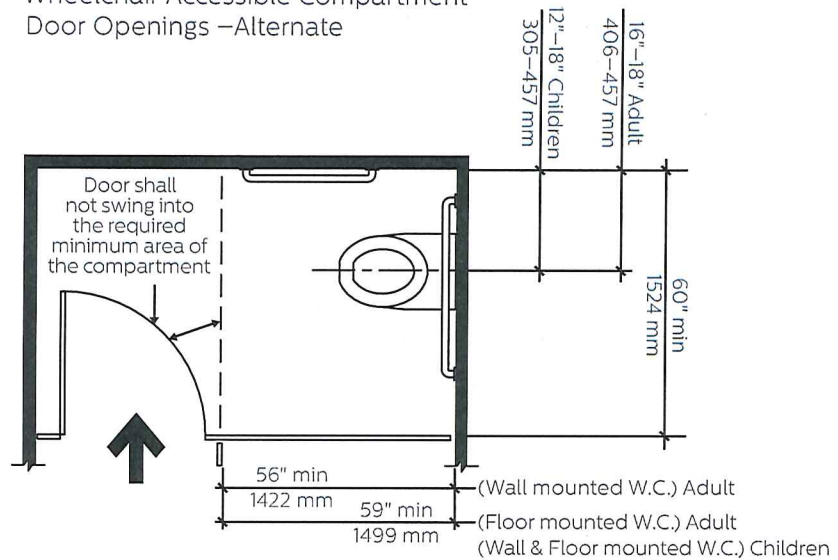
Dimensions change if mounted over counter or lavatory.
Operable parts must be beneath maximum height.



Wheelchair Accessible
Compartment Wall Mounted
Water Closet (Adult)



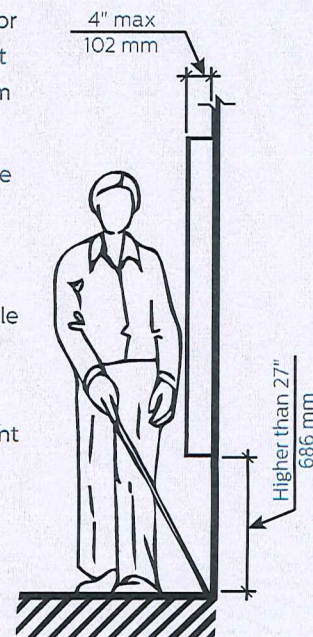
Wheelchair Accessible Compartment
Door Openings –Alternate



In order to create a safe environment for visually impaired patrons, fixtures must be detectable with a cane. The diagram above highlights this requirement.

ADA guidelines state that fixtures above 27" (686 mm) must not protrude from the wall more than 4" (102 mm). A low fixture such as a waste receptacle can satisfy this requirement if it is detectable below the protruding fixture (usually hand dryers or towel dispensers).

Keep in mind that it's always important to double check requirements with local codes, as these supersede Federal requirements.





Golich Building Supply, Inc.

7106 Kensington Road, Brighton, MI 48116 Phone: 248-437-7696 Fax: 248-437-1822

Single Occupant Room

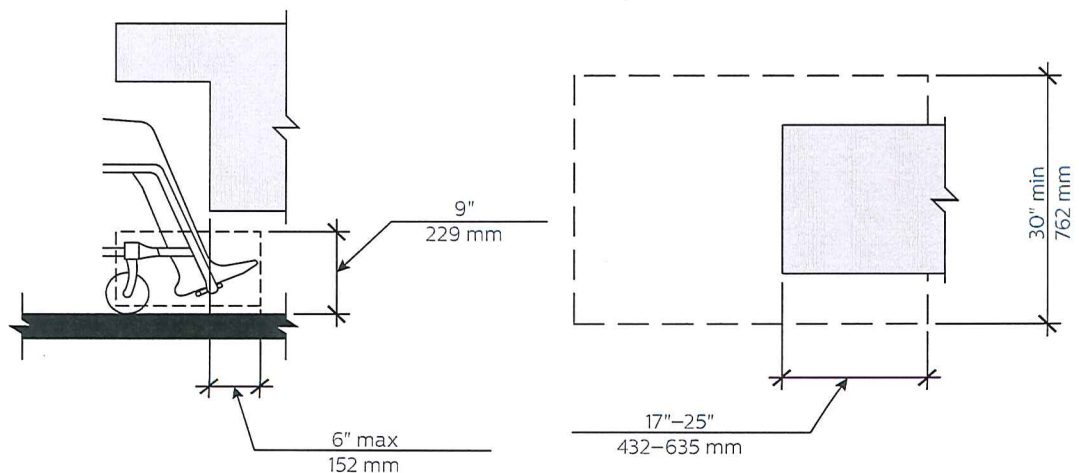
A Single occupant restroom design should allow for a patron to enter the room and maneuver to all fixtures from a wheelchair. The diagram at left shows how the ADA required dimensions create an environment that is accessible to anyone. These requirements may be change depending on the specific application.

Check your local codes to be sure.

- Sinks must have 30" x 48" (762 x 1219 mm) of access. Measurement starts from the point where a person has 9" vertical clearance for their feet and 27" vertical clearance for their knees. ①
- The center line of the toilet must be between 16"–18" (406–457 mm) from the wall. This distance ensures that grab bars can be effectively used to maneuver one's self as needed.
- 30" x 48" (762 x 1219 mm) of clear floor space is required in every restroom. When 30" x 48" (762 x 1219 mm) clear floor space is provided beyond the arc of the door swing (shaded area to right of door opening), the door is permitted to swing into the clear floor space or clearance required for any fixture.
- A door may swing into a required wheelchair turning space. A door may not swing into a required clear floor or ground space at a fixture. However, an exception is made in single occupancy toilet rooms if another required clear floor or ground space is available that is outside of the radius of the door swing (section 603.2.3). This allows the wheelchair user adequate room to maneuver out of the path of the door.

Be sure to verify all distances and heights with your local codes to ensure compliance.

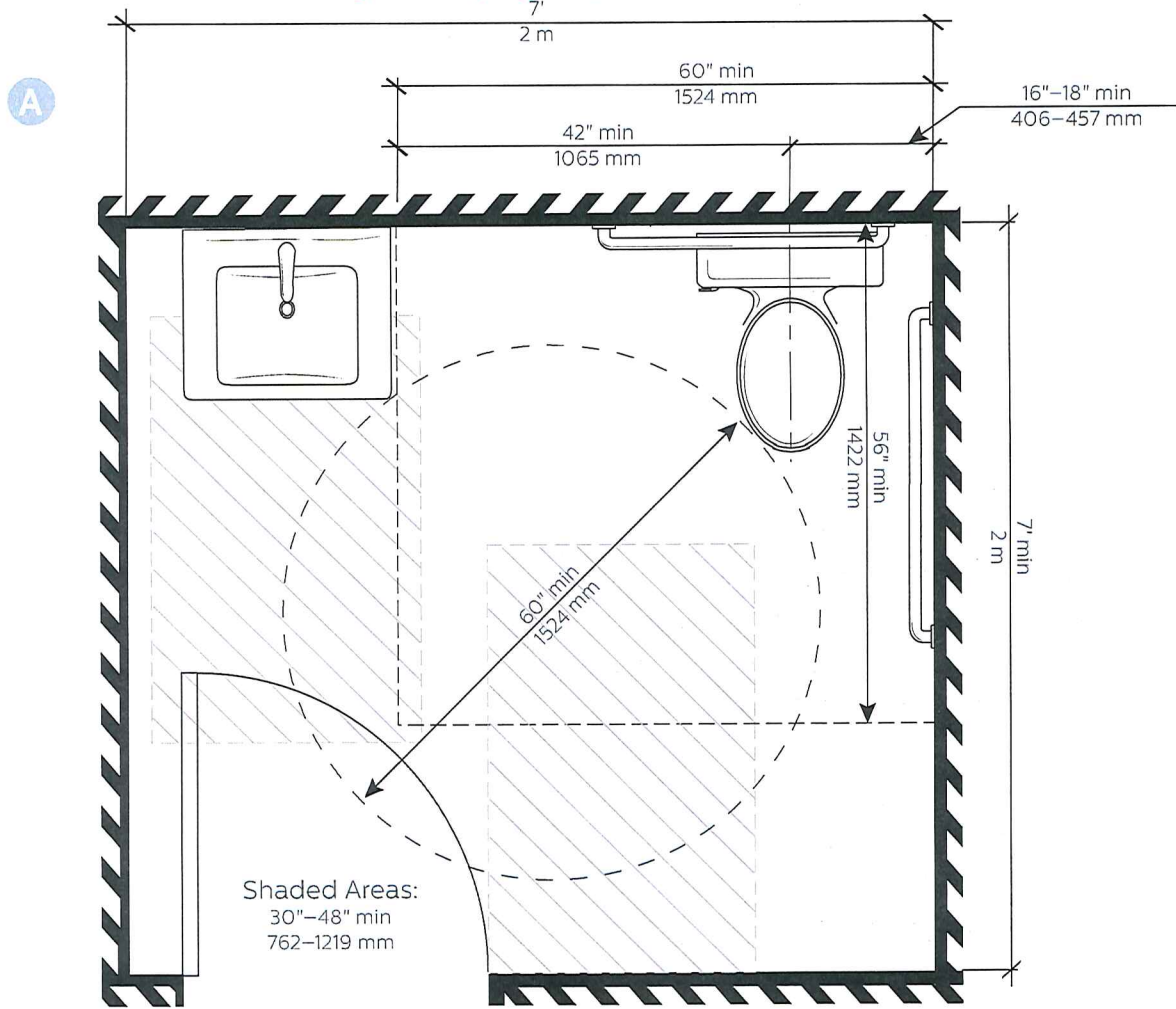
① Toe Clearance



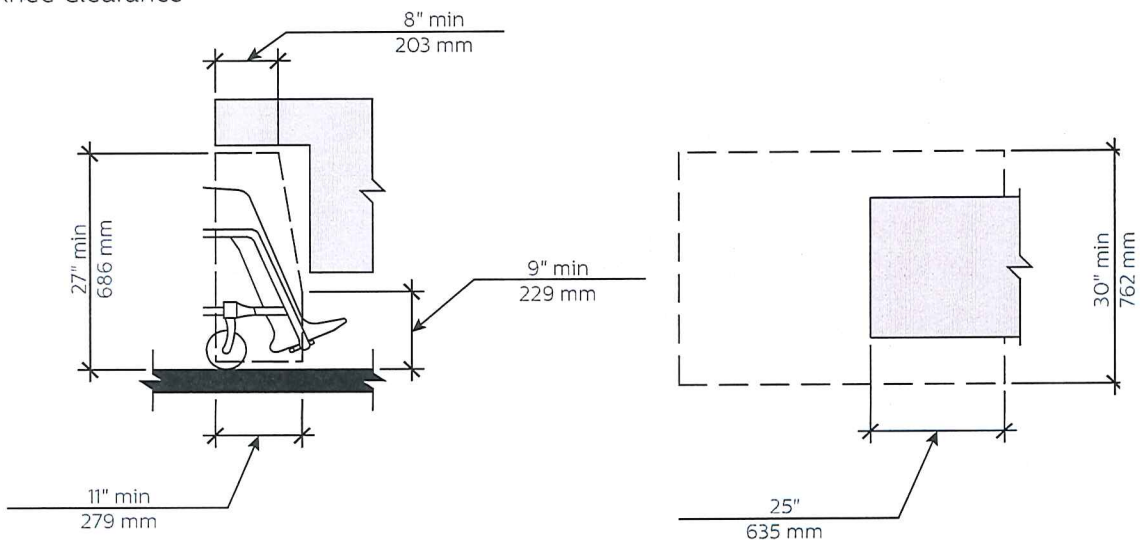


Golich Building Supply, Inc.

7106 Kensington Road, Brighton, MI 48116 Phone: 248-437-7696 Fax: 248-437-1822



1 Knee Clearance





Bradley Accessibility Solutions

A Frequency® Lavatory Systems

Frequency® lavatory systems feature a wave design that offers a unique solution for meeting ADA needs and standard height washing comfort. All Bradley Lavatory fixtures are designed so that ADA toe and knee clearance starts at the wall.

B Towel Dispenser/Waste Receptacles

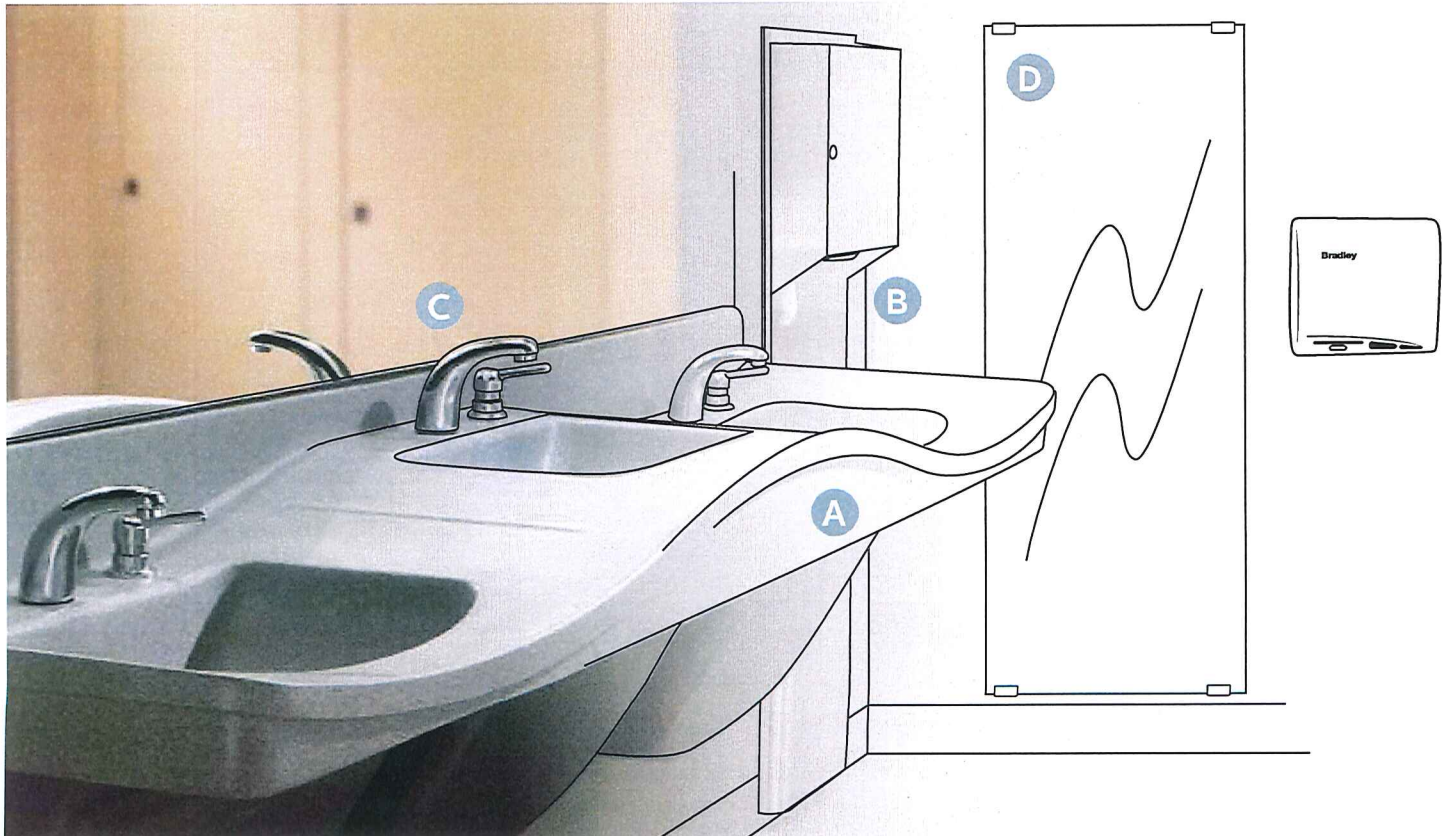
Combination towel dispenser / waste receptacles provide practical use of space. To avoid a hazardous restroom, install towel dispensers next to the sink. This is more convenient for people with disabilities as well. In order to meet the 4" (102mm) maximum limit for objects that protrude into the circulation path, consider recessed accessories.

C Capacitive Sensing faucets

Bradley's Capacitive Sensing Faucets automatically activate water flow through proximity sensing. Activation without grasping, pinching, or applying more than 5 lb pressure is required by ADA Guidelines.

D Mirrors

ADA compliance requires at least one mirror with the reflective surface beginning no higher than 40" (1016 mm) off the ground. Bradley recommends installing a full length mirror next to the sink to satisfy this requirement. This is a more convenient solution for people who use a wheelchair, and ensures compliance with any state or local code.



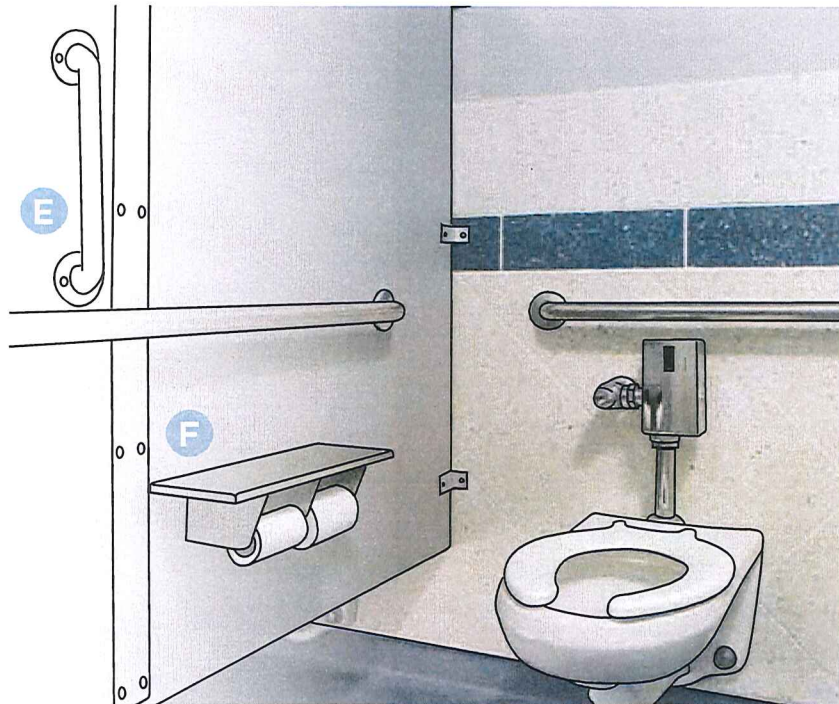


E Grab Bars

The ADA emphasizes grab bar installation because they help the individual maintain balance, transfer, and prevent falls. Bradley offers grab bars in various lengths, styles and finishes to fit any application.

F Toilet Tissue Dispensers

To comply with ADA, toilet tissue dispensers cannot control delivery or limit paper flow.



G Showers

ADA Compliance for showers requires a hand-held shower head with 59" hose that can be used both as a fixed-position shower head and as a hand-held shower. Shower controls must require less than 5 lb of pressure with no grasping. Bradley offers several options for accessible showers.

H Shower seats

Bradley offers a variety of shower seats for ADA compliance, including bariatric models. Select anti-microbial models available.

ANSI requires 18" (457mm) minimum vertical grab bars in addition to the horizontal bars required in accessible toilet or shower stalls.